



Product sheet

## Dinesen Layers Oak

Dinesen Layers is a new selection of engineered floor planks based on the high quality that characterises Dinesen plank floors. A Dinesen Layers floor provides you with all the natural qualities of a wood floor in an engineered solution.

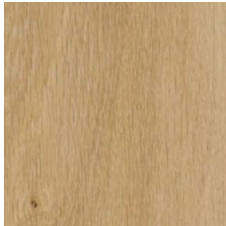
# Dinesen Layers Oak

The quality of Dinesen Layers is three-fold: the wood, the craftsmanship and the Dinesen know-how.

For more than 120 years, Dinesen has been driven by the passion to recreate the natural calm of the forest in the meeting between people and nature. Dinesen Layers Oak is the result of craftsmanship and high-quality wood – bringing nature closer. The high-quality raw wood is

sourced from European forests where forestry has been based on sustainable principles for centuries.

Every single plank is checked repeatedly throughout the Dinesen production process in the effort to deliver uncompromising quality. The planks pass through at least ten pairs of hands on their long journey through the production facilities.



## Oak Classic

- Subtle structure with a classic expression
- Harmonious and calm
- Few knots



## Oak Natural

- Dynamic structure with a natural expression
- Authentic and warm
- More knots



## HeartOak

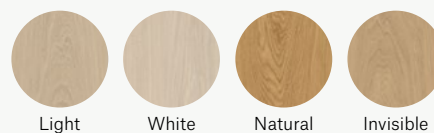
- Dynamic structure with a natural expression
- HeartOak planks contain knots, natural cracks and butterfly joints

## Finishing and colours

Dinesen Layers Oak planks are delivered unfinished. This allows you to choose the finish that is right for your project and your expectations for the floor.

Choose between the different nuances of oil and create your personal statement through the colour and the texture of the floor.

### Dinesen Oil



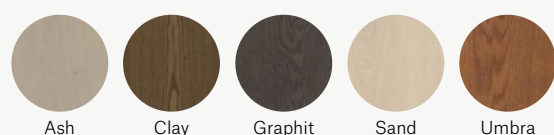
Light

White

Natural

Invisible

### Coloured Oil



Ash

Clay

Graphit

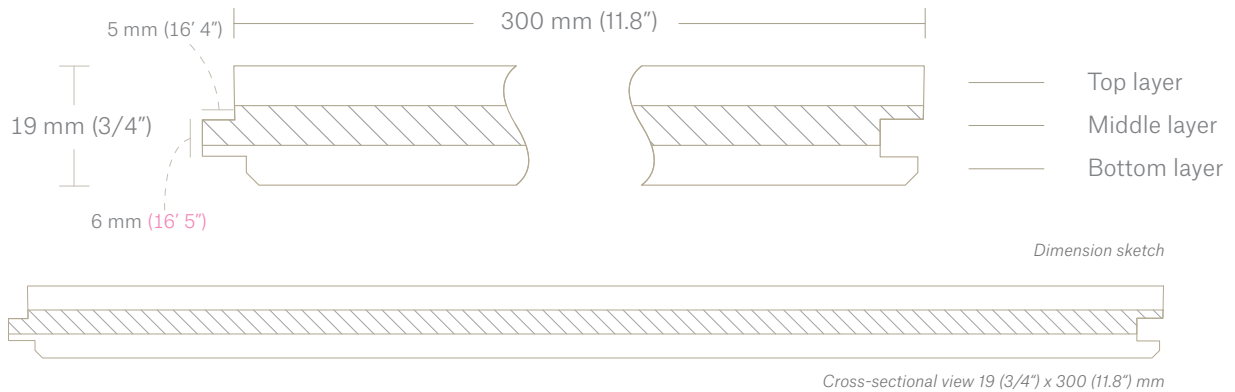
Sand

Umbra

- 1 Please note that colour differences between the floor planks, including display exhibits and samples, must be expected due to the natural characteristics of the wood. This also applies to the amount of knots and natural characteristics.

# Product description

Dinesen Layers Oak distinguishes itself from other lamella constructed floors as it consists of three quality layers that are pressed together with a reverse middle layer - all in European Oak. An elegant and subtle solution.



Dinesen Layers Oak is available in two variants (design principles) which, however, have both the wear layer/surface and the stability in common.

## Finger joined lamellas



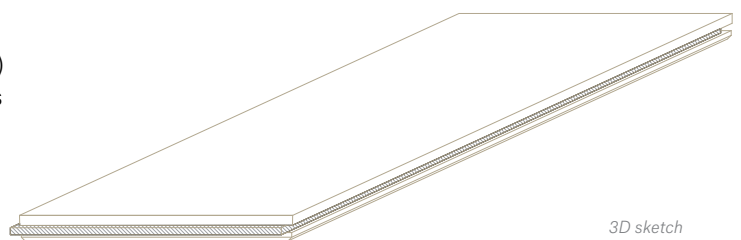
## Wide lamellas



A variant where the middle and bottom layers consist of finger-assembled off cut wood from our own production, which ensures optimal utilization of the raw material.

Variant where all three layers consist of solid lamellas. This gives a visually very quiet cross section.

- Planks are delivered with sharp edges (no chamfer)
- Each plank has tongue and groove on all four sides



## Product range

Layers Oak is available in one standard dimension; 19 mm (3/4") thick, 300 mm (11.8") wide and up to 5 m (16' 4") random lengths.

Planks in random lengths are delivered in available lengths. This makes for a fluid transition from one room to the next and a coherent expression that is perfect for many projects. Each plank is made as long as possible, which makes it possible to use a very high proportion of the raw wood.



## Product data and tolerances

<b>Description</b>	Three-layer engineered floor plank All three layers consist of European oak  The top lamella is 6 mm thick and defines the wear layer
<b>Length</b>	2 – 5 m (6' 7" – 16' 5") in random lengths The majority will be ~3500 mm (11' 6")
<b>Width</b>	300 mm (~12") Tolerance: +/- 0.3 mm (0.01")
<b>Thickness</b>	19 mm (3/4") Tolerance: +/- 0.2 mm (0.008")
<b>Right-angled</b>	90 degrees +/- 0,1° degree
<b>Glue</b>	Waterproof and formaldehyde-free
<b>Wood moisture content</b>	5 – 7 %
<b>Tongue and groove</b>	6 mm (~1/4")
<b>Surface treatment</b>	Unfinished. To be sanded and finished on site
<b>Montage</b>	The planks must be fully bonded to a structural stable subfloor with a Dinesen recommended glue system.

## Technical properties

<b>Hardness (Brinell)</b>	3.5	
<b>Reaction to fire</b>	Dfl-s1	EN 14 342
<b>Thermal resistance</b>	0.17	EN 14 342
<b>Heat conductivity (R)</b>	0.11	EN 14 342
<b>Formaldehyde content</b>	Class E1	EN 14 342
<b>Content of Pentachlorophenol</b>	PCP < 5 ppm	EN 14 342
<b>Density (kg/m³)</b>	650	

## Environment and climate

<b>Climate Labeling</b>	French VOC Regulation	A+	
	Indoor Air Comfort GOLD®	Passed	
	BREEAM International	Exemplary Level	
	Leed v4.1	Compliant	



Please also see the Declaration of Performance (DOP) and the Sorting description, both of which can be found at [dinesen.com/technical](https://dinesen.com/technical).

### Packaging and weight

The planks are wrapped in airtight plastic packaging.  
On-site assistance with regard to unloading is required.

Plank weight approximately: 12.5 kg/m<sup>2</sup>

# General

## About the planks

The planks are supplied unfinished and have a moisture content of 5-7 %. Dinesen floor planks are CE-labelled in accordance with EN 14342.

## Delivery times

Delivery times vary and may in some cases be considerable. For more information on delivery time, please contact Dinesen on +45 7455 2140.

## Storage

If the floor planks are stored for a short period of time, they must be kept inside in a sealed, dry and warm room. Place the floor planks on joists and wrap them tightly in plastic - also underneath.

## Installation

Always consult our [instructions](#) or contact our technical department at [technical@dinesen.com](mailto:technical@dinesen.com) or +45 7455 2140.

Please note that the planks must be fully bonded to a structural stable subfloor, with a Dinesen recommended glue system.

## Underfloor heating

Suitable for underfloor heating.

## Maintenance

We recommend Dinesen products for [finishing and maintenance](#). To preserve the beauty of your Dinesen floor, you need to use Dinesen's maintenance products. We cannot assure the durability and condition of the surface if other products are used.

## Webshop

Our webshop with maintenance products and instruction videos can be found at [dinesen.com](https://dinesen.com).

## Prices

For updated prices, please refer to [dinesen.com](https://dinesen.com).

We do not accept any liability for printing errors.